

Introduction

- ❖ $\varnothing 25 \varnothing 20 \varnothing 18.5$ Coin Standard type
- ❖ Able to be used at wide temperature from -25°C to 70°C
- ❖ RoHS directive compliant

Applications

- ❖ Memory back-up for video and audio equipment, cameras, flash, tuners, TV, rice cookers and remote controls



C-TYPE H-TYPE V-TYPE

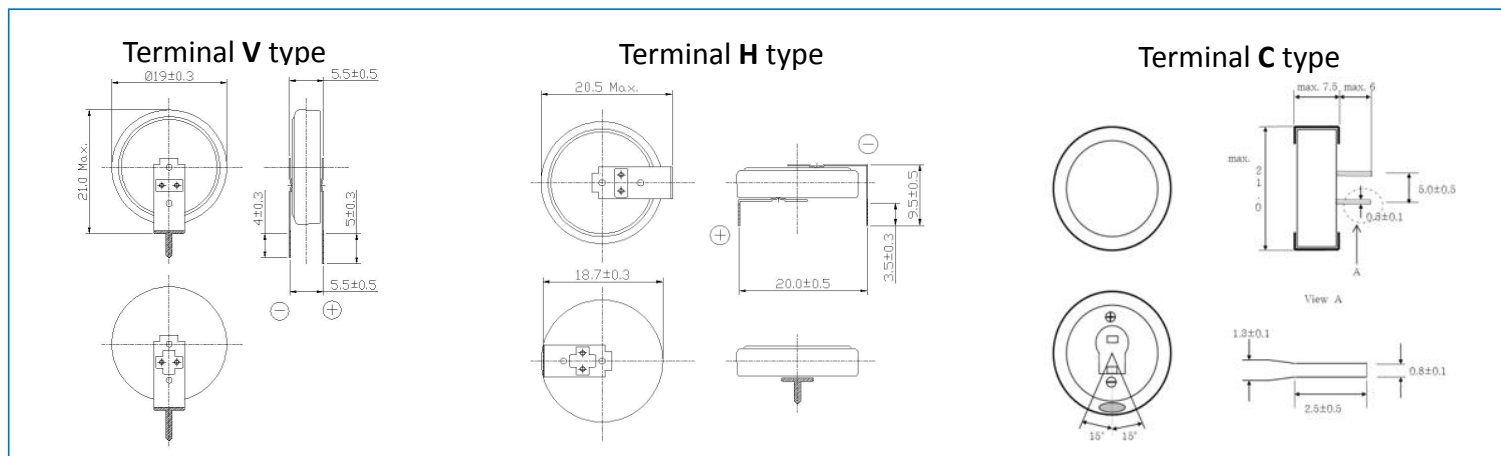
Specifications

Operating Temperature range	-25°C to 70°C					
Working Voltage	5.5 V DC					
Nominal capacitance & Resistance	Nominal capacitance (F)	0.47	1.0	1.5	4.0	5.0
	Nominal resistance (Ω)	30	30	30	15	15
Capacitance tolerance	- 20% to + 80%					
Characteristic at high and low temperature	Capacitance change	Within $\pm 30\%$ of the value at $+20^{\circ}\text{C}$				
	Internal resistance change	Less than five times of the value at $+20^{\circ}\text{C}$				
Endurance	Test time	1,000 (hours)				
	Capacitance change	Within $\pm 30\%$ of the initial measured value				
	Internal resistance change	Less than four times of the initial specified value				
Shelf life	Same as endurance (Test time : 1,000 hours)					

Part number system

<u>CE</u>	<u>5R5</u>	<u>474</u>	<u>H</u>	<u>F</u>	<u>*</u>
Series code	Rated Voltage	Nominal Capacitance	Terminal Type	Additional Symbol ROHS	

Dimensions in mm (not to scale)



Standard Products

Series	Working Voltage (V DC)	Capacitance (F)	Capacitance tolerance (F)	Temperature range ($^{\circ}\text{C}$)	Internal resistance (Ω) at 1 kHz	Recommended discharge current (mA)	Part number	Terminal Type	Min. Packaging q'ty (pcs)
CE	5.5	0.47	0.376 to 1.41	-25°C ~ $+70^{\circ}\text{C}$	30 Ω or less	1 mA Or less	CE 5R5 474 ()	V, H, C	500
CE	5.5	1.0	0.80 to 1.80	-25°C ~ $+70^{\circ}\text{C}$	30 Ω or less	1 mA Or less	CE 5R5 105 ()	V, H, C	500
CE	5.5	1.5	1.20 to 2.70	-25°C ~ $+70^{\circ}\text{C}$	30 Ω or less	1 mA Or less	CE 5R5 155 ()	V, H, C	500
CE	5.5	4.0	3.08 to 4.12	-25°C ~ $+70^{\circ}\text{C}$	15 Ω or less	3 mA Or less	CE 5R5 405 ()	V, H	350
CE	5.5	5.0	4.04 to 5.20	-25°C ~ $+70^{\circ}\text{C}$	15 Ω or less	3 mA Or less	CE 5R5 505 ()	V, H	350